

# Ergonomic Torque Tube



## Key Benefits:

- Can handle torque reaction up to 300Nm (customs available for higher torque reaction)
- Adaptable to any brand of over-head rail system
- Low friction cylinder
- Adjustable Housing
- Durable Powder Coat finish
- Common components readily available
- Pneumatic pressure regulator to provide a single balance setting
- Redundant safety features

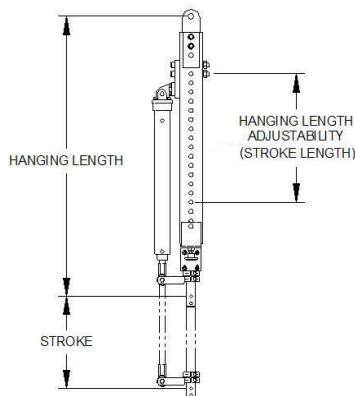
## Quick Order

(Need a standard Torque Tube for Fast delivery? Select one of the following):

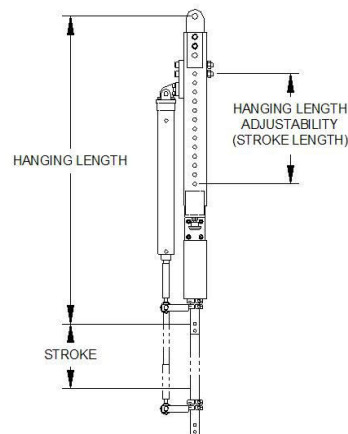
**A-100-24-150-STC-C** = 24" Travel 100 Series Torque Tube w/ Single trolley mount. (Does Not Include Trolley - Order Separately)

**A-125-24-150-STC-C** = 24" Travel 125 Series Torque Tube w/ Single trolley mount. (Does Not Include Trolley - Order Separately)

**STYLE A-100**  
(Internal Bearing Block Model)



**STYLE A-125, T-30 & T-40**  
(External Bearing Block Models)



## Standard Stroke/Minimum Hanging Lengths

Model	Tool Mount Dia.	Min. Hanging Length	Max. Hanging Length
A-100	1.00" (25.40mm)	18" (457mm) + Stroke	18" (457mm) + 2*Stroke
A-125	1.25" (31.75mm)	21" (533mm) + Stroke	21" (533mm) + 2*Stroke
T-40	1.19" (30.2mm)	18" (457mm) + Stroke	18" (457mm) + 2*Stroke

Customs available upon request.

**KRAMER AIR TOOL**  
SALES AND SERVICE

**Example of a common Torque Tube assembly number:**

A - 100 - 18 - 150 - 1016 - U1 - SVL  
1 2 3 4 5 6



**1. Standard Models**

Use A-Series Torque Tubes where low cost, rapid delivery and low friction is required.

Use T-Series Torque Tubes where high vertical axis torque and low backlash is required.

**A-100** = 1" Shaft (Max Torque - 150NM)

**T-30** = 30mm THK Spline Shaft (Max Torque - 130NM)

**A-125** = 1-1/4" Shaft (Max Torque - 300 NM)

**T-40** = 40mm THK Spline Shaft (Max Torque - 300 NM)

**2. Standard Stroke Lengths**

**12** = 12" (305mm)      **24** = 24" (610mm)  
**18** = 18" (457mm)      **30** = 30" (762mm)  
(Can be ordered in any length as a custom order)



**3. Cylinder Bore Size**

**150** - 1-1/2" cylinder  
**200** - 2" cylinder  
**250** - 2-1/2" cylinder

**Lift Capacity**

**85** (39kg) (Capacity is based on 60 psi/4.1bar air supply)  
**170** (77kg) (Standard cylinder used is Flairline (OILF). Other brands available upon request.)  
**275** (125kg)

**4. Trolley Bridge Carrier**

(Trolley options N/A with options "MP" and "NC".)

**MP** - Mounting Plate      **NC** - No Clevis (Customer to supply mount.)  
**STC** - Single Trolley/Centered      **DTC** - Dual Trolley/Centered  
**1818** - 18" Sq. 4 Trolley Centered Bridge      **2424** - 24" Sq. 4 Trolley Centered Bridge

**5. Trolley Type** (Other manufacturers available upon request.) **See Options for Ordering Without Trolleys.**

**Knight Trolleys**

K1 = RTA4003B - 4000 Rail  
K2 = RTA4502B - 4500 Rail  
K3 = RTA4802B - 4800 Rail  
K4 = RSD5303A - 5300 Rail  
K5 = RSD5502A - 5500 Rail  
K6 = RSD5702A - 5700 Rail  
K7 = RTA7002B - 7000 Rail  
K8 = MRES7728 - 7500 Rail  
K10 = MRTA4003 - 4100 Rail

**Unified Trolleys**

U1 = 20110 - ETA 4-Type B  
U2 = 20061 - ETA 8 Kick up  
U3 = 20100 - ETA 4-Type A  
U4 = 10190 - I-Beam  
U5 = 20020 - ETA 8  
U6 = 10200 - I-Beam

**Zimmerman Trolleys**

Z1 = 31057 - ZRAT  
Z2 = 30281 - ZRA1  
Z3 = 30172 - ZRA2  
Z4 = 30821 - ZRS2/3

**Demag Trolleys**

D1 = 98061044 - KBK 1  
D2 = 98211044 - KBK 2/2L  
D3 = 98057044 - KBK 1 Ergo  
D5 = 85505044 - KBK ALU120  
D4 = 98436044 - KBK 2/2L Ergo  
D6 = 85508044 - KBK ALU180  
D7 = 85505544 - KBK ALU120 Ergo  
D8 = 85507544 - KBK ALU180 Ergo

**Gorbel**

G1 = 0251  
G2 = 0501B  
G3 = A0501

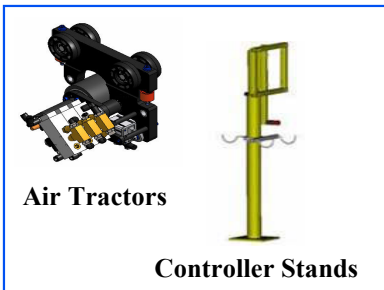
**Hubble**

H1 = WSF30

**6. Options** (Multiple Options Available)

**SVL** = Lower Vertical Swivel (Mounted to End of Torque Tube)  
**SVU** = Upper Vertical Swivel (Mounted between Torque Tube & Bridge Carrier)  
**SB** = Upper Vertical Swivel with Horton Brake  
**SD** = Upper Vertical Swivel with Disc Brake  
**SHEXX** = Shaft Extension (XX = Length in Inches)  
**TP** = Tool Mounting Plate  
**C** = Customer to Supply Trolleys

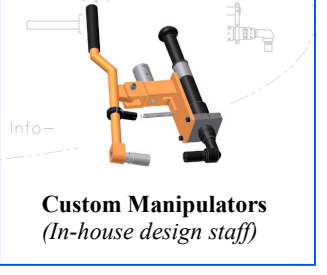
**We can also supply you with:**



**Air Tractors**  
**Controller Stands**



**Assembly Tools & Accessories**



**Custom Manipulators**  
(In-house design staff)



**Rail & Accessories**