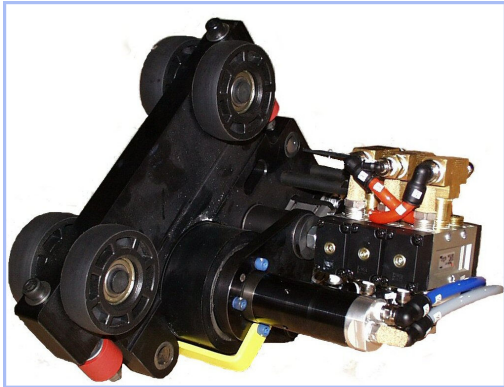


# Lube Free Air Tractor

## Key Benefits:



- Lube Free Atlas Copco drive motor.
- Maintenance Friendly Design.
- Has a maximum speed 4 feet per second
- Can Produce 80lbs of thrust
- Excellent Pricing
- Quick Delivery

**Kramer Air Tool's** lube free air tractor was developed to be a universal, compact, and reliable alternative to those large air tractors most companies are familiar with. Our KAT-NB-CX series air tractor occupies the same real estate as most standard eight inch (8") trolley and can produce up to 80 lbs of thrust.

## Part Number Breakdown:

**KAT-NB-XX-CX-TX**

Kramer  
Air Tool

No  
Brake

4I = 4" Encl Rail  
IB = I-Beam  
(Note: For 8" use  
Part # KAT-NB-C{1,2, or 3})

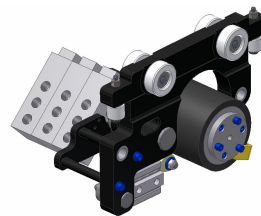
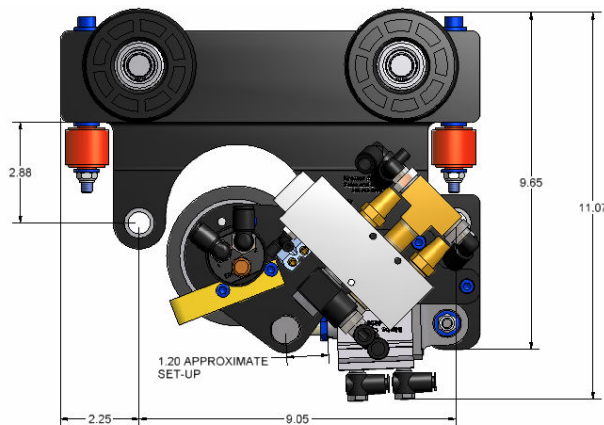
### Available Trolley Option:

T1 = TramRail P/N: 1-17240-010

### Control Package Option:

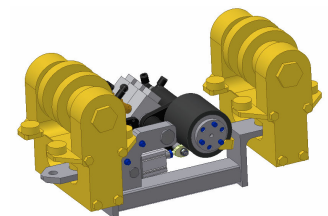
C1 = SMC Control Pack w/FWD/REV 2-Button Control Pendant.  
C2 = SMC Control Pack Only. (Requires main air connection + fwd/rev signals)  
C3 = Base Tractor Only. No Control valves.

8" Series



4" Series

I-Beam Series



**KRAMER AIR TOOL**  
**SALES AND SERVICE**